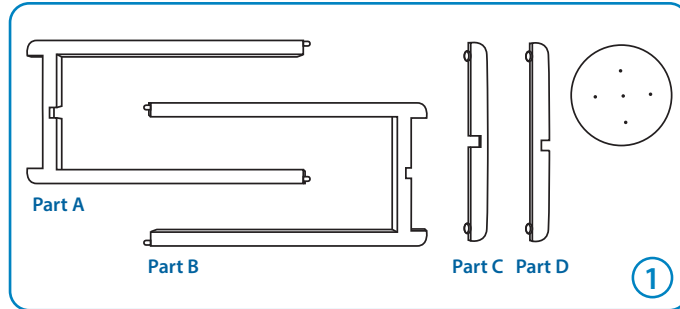
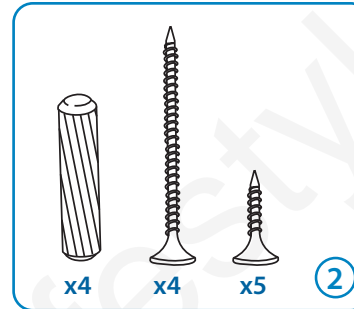


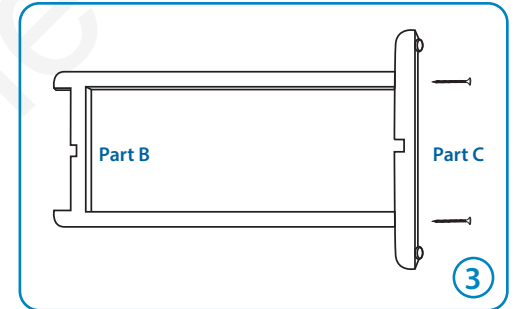
General Instructions for 27 Inch & 30 Inch Wood Stand Assembly



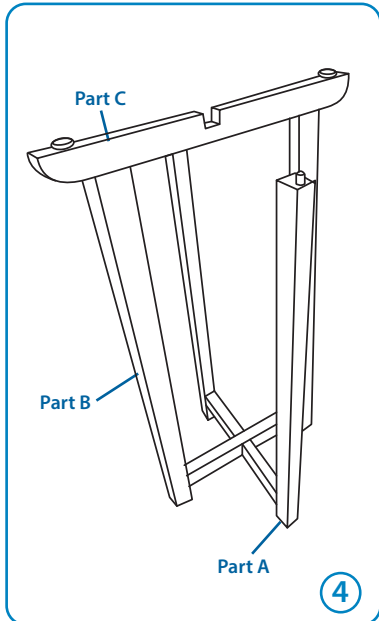
Find a flat, soft surface to prevent dents or damages to the wooden legs as you assemble the stand.



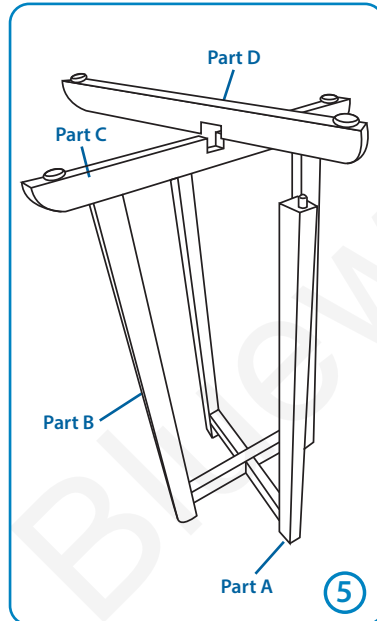
Collect all screws (5x short & 4x long), 4x plugs, and the round plate together. A Phillips screwdriver (crosshead) is needed.



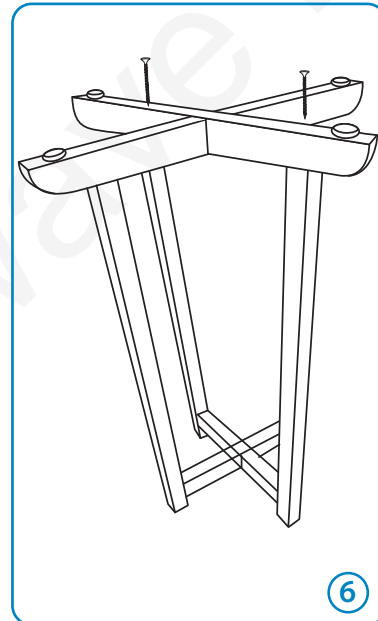
Insert two plugs into the holes on the bottom of Part B. Then, assemble Part C with Part B as shown. Once it has been firmly assembled, use two long screws to hold the parts together. Make sure the screws are straight and do not over-tighten to prevent damage to the wood.



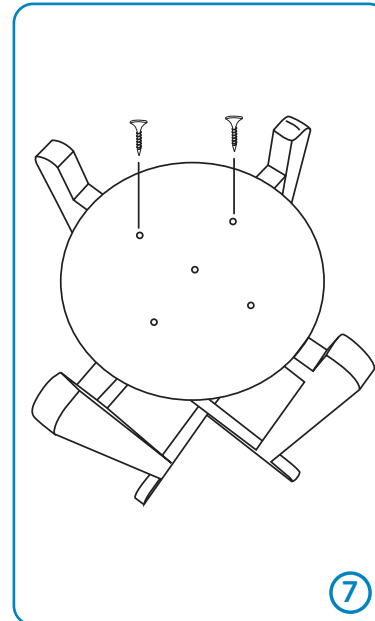
Insert two plugs into the holes on the bottom of Part A. Then, put together Part A with the completed Parts B-C.



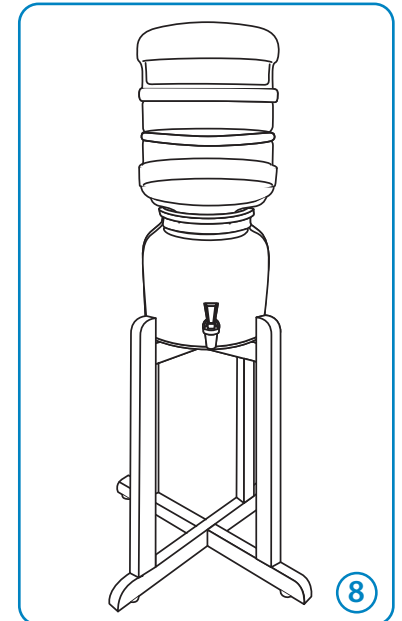
Next, assemble Part D with the completed Parts A-B-C.



Once the remaining parts have been firmly assembled, use two long screws to hold Part A and Part D together. Make sure the legs are level and proportional.



Flip the assembled stand upright. Match the holes of the wooden plate to the stand. Use the short screws to attach the plate to the stand.



Adjust the levelers on the the bottom of the stand if necessary. Once you have correctly assembled the stand, the stand is ready for use. Enjoy!